

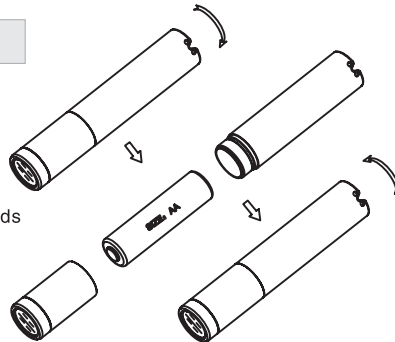
## E3S Operation Manual

### FEATURES

- LED source: CREE XP-G R4 with lifespan of up to 50,000 hours
- Two brightness levels
  - Optional high/daily mode
    - High mode 155 Lumens , 1 hour
    - Daily mode 23 Lumens , 15 hours
- Constructed of high Grade 304 Stainless Steel
- Powered by a single standard AA battery
- High efficiency digital constant current drive circuit features stable and constant brightness
- Simple to use interface
- Toughened ultra-clear mineral glass with anti-reflective coating
- Premium aluminum reflector system
- Waterproof: Accord to IPX-8 standard
- Tailstand - Can be placed on flat surface for reading
- Dimension: Diameter 18mm, Overall length 92mm
- Weight: 75g

### Operation Instrution

1. Screw the body off the flashlight in counter-clockwise direction. (Please follow the installation diagram)
2. Install one AA battery with the positive pole of the battery towards the LED head.
3. Screw the body back on the flashlight tightly in clockwise direction.



### Brightness switch / on & off

Lightly press the button down at the tail cap until a "click" is heard, the flashlight is turned on;  
Press the tail cap button again and another "click" is heard, the flashlight is turned off.  
Slightly loosen the light head, the light will turn to the daily mode;  
Re-tighten head, the light will turn to the high mode again.

### Replacing Battery

Please remove or replace the battery when you find your flashlight experiences the following: dim output, unstable flashing, modes cannot be changed or light will not turn on.  
Caution: Keeping an discharged battery in the flashlight may leak and cause damage to your flashlight.

### Warranty Service

All JETBeam products are warranted for quality and defects. Any malfunctioning products can be exchanged for replacement from your local distributor/dealer within the first 14 days after receipt. This product has a free warranty repair service within 18 months from the date of purchase. The M2S possesses an 18 month limited warranty, which covers labor and maintenance only, it does not cover cost of parts for repair. The warranty is nullified/void in any of the following circumstances:

1. The product(s) is/are broken down, reconstructed and/or modified under unauthorized conditions or persons.
2. The product(s) is/are damaged through incorrect use or operation and not following manufacturers recommendations.
3. The product(s) is/are damaged by leakage of batteries.

Details of warranty service, please contact regional distributor/dealer or send email to

[jetbeamclaims@gmail.com](mailto:jetbeamclaims@gmail.com)

[claims@jetbeam.com.cn](mailto:claims@jetbeam.com.cn)