

Features

- Specially designed for Military, Law Enforcement, Self-defense, Hunting, Search & Rescue and Outdoor activities.
- CREE XM-L T6 LED
- Max output of 1950 lumens with an effective range of 346+ yards
- Max runtime of up to 250 hours
- Seven levels of brightness and functions to choose from
- Rapid Response Control Ring allows the user to easily select different brightness levels
- Stainless steel crenelated bezel can protect the head from drops and impacts and can be used as a glass breaker or defensive tool during emergencies
- High efficiency large reflector allows better beam flooding and long distance throw.
- Can utilize tactical pressure switch and other available accessories, which allows it to be used for a variety of purposes

Specifications

- LED: Three CREE XM-L T6
- Max output: 1950 lumens
- Reflector: Aluminum reflector
- Lens: Toughened ultra-clear mineral glass with anti-reflective coating
- Material: Aero grade aluminum alloy
- Finish: HA III Military grade hard anodized
- Battery: 18650 Li-ion*3
- Voltage: 6.5-15V
- Switch: Forward clicky
- Waterproof: IPX-8 standard waterproof (2 meters)
- Dimensions: Head diameter 67mm
Tube diameter 46mm
Total length 198mm
- Weight: 560g
- Patented Product

Output & Runtime

FL1 STANDARD	Turbo	MODE 1	MODE 2	MODE 3	MODE 4	MODE 5	MODE 6
	1950 LUMENS	1200 LUMENS	850 LUMENS	620 LUMENS	400 LUMENS	180 LUMENS	5 LUMEN
	1h	2h	3h	4h	6h30min	18h	250h
	346m (Beam Distance)						
	30000cd (Peak Beam Intensity)						
	1.5m (Impact Resistant)						
	IPX-8, 2m (Waterproof AND Submersible)						

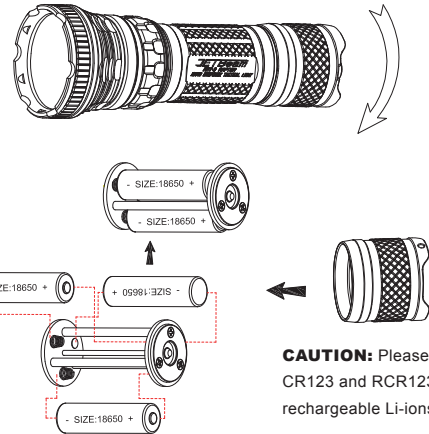
NOTICE

Stated data has been measured according to the international flashlight testing standards ANSI/NEMA FL1 by using three JETBeam 18650 batteries in the laboratory. The data may vary due to different battery usage and environment conditions.

Operation Instructions:

Battery Installation

1. Screw the tailcap off in counter-clockwise direction.
2. Remove the battery carrier.
3. Put batteries in battery carrier, with the negative end (flat one) of the battery pointing to the spring.
4. Insert the battery carrier back into the body.
5. Screw the tailcap back tightly in a clockwise direction.



Tactical Lighting/Momentary On

Half press the tail cap button, the flashlight will turn on temporarily; Release the button at the tail cap, the flashlight will turn off.

ON/OFF Switching

Switch ON: Press the tail cap button down completely until a "click" is heard and flashlight turns on.

Switch OFF: Press the tail cap button down a second time until a "click" sound is heard and light is turned off.

Mode Switching

With the light turned on, rotating the Rapid Response Control Ring to select seven levels of brightness strobe smoothly. For output levels and runtime please refer to "Output & Runtime" section.

Notice: When the heat emitted by RRT3 exceed the safe temperature after long term working, the built-in temperature protection circuit will automatically start flashing to alert the users. The users need to switch off the flashlight immediately or lower the brightness level until the light become cool again.

Ultra Low Brightness Setting

When the user rotates the control ring in a rapid motion from Max to Min (go through all modes) in a counter-clockwise direction, the light enters into hidden 'Moon Mode'. Users can reset 'Moon Mode', and select a second hidden mode: Standby Mode. First, rotate the control ring to low mode in counter-clockwise direction. Then rapidly rotate the ring one turn in clockwise direction, and rapidly rotate the ring back to low mode in counter-clock direction. The light will now switch from "Moon Mode" to Standby Mode. In the Standby Mode the light will consume very low current enter "sleep" state. In this Sleep Mode, the RRT3 will flash once every eight seconds to remind the users that it is in Standby Mode. This mode also can be used to locate the light in the dark. If the user want to resume normal Moon Mode, repeat the setting again: First, rotate the control ring to low mode in counter-clockwise direction. Then rapidly rotate the ring one turn in clockwise direction, and rapidly rotate the ring back to low mode in counter-clock direction. The light will be in normal Moon mode.

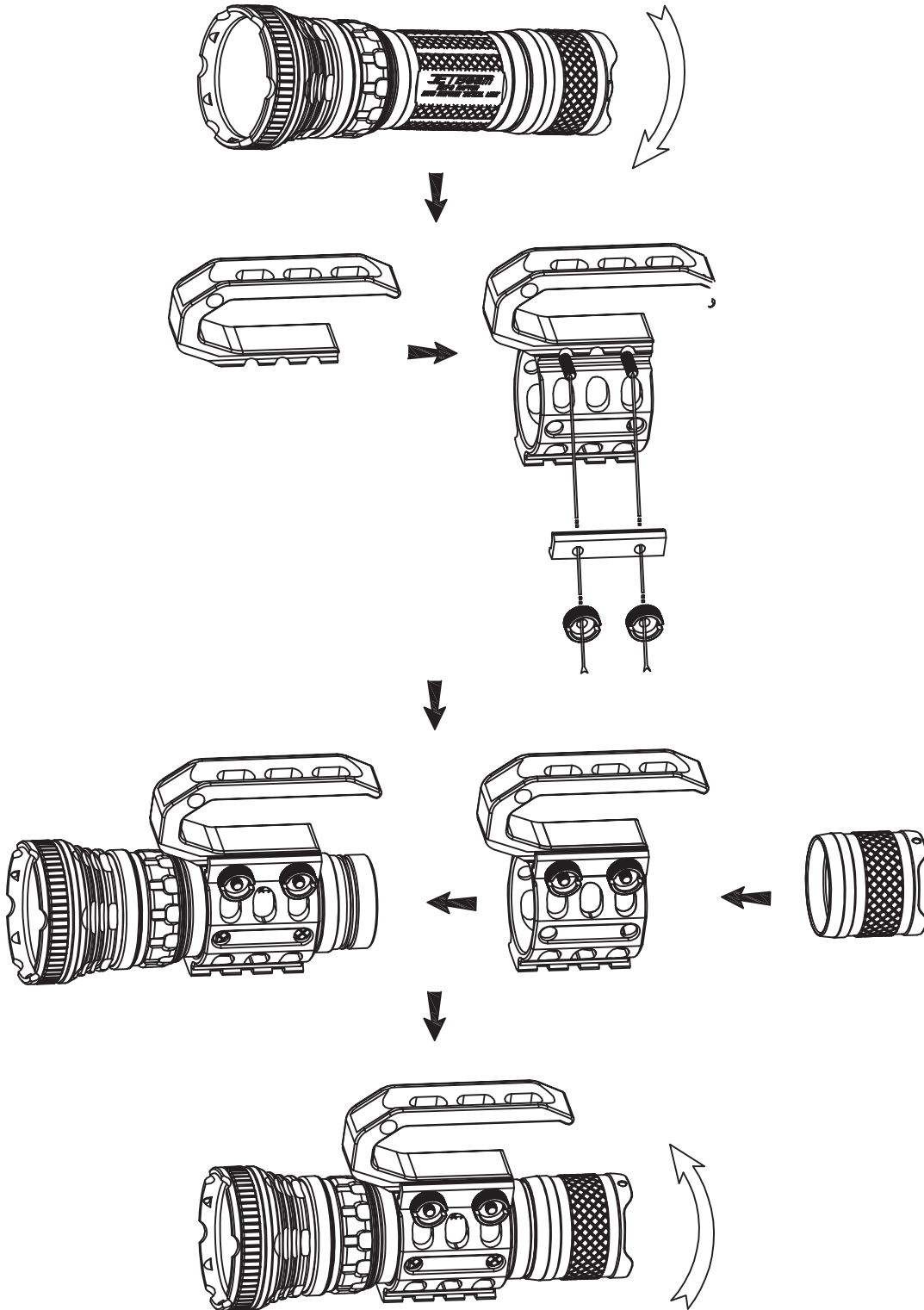
Warranty Service

All JETBeam products enjoy a warranty service after sale. Any malfunctioning products can be exchanged for replacements from local distributor/dealer within the first 14 days after receipt of the light. This product can enjoy free warranty service within 18 months from the date of purchase. After 18 months, the warranty covers labor cost and maintenance, with the exclusion on the cost of accessories or repair parts. The warranty is nullified in any of the following situations:

1. The product(s) is/are broken down, reconstructed and/or modified under unauthorized conditions.
2. The product(s) is/are damaged through improper use.
3. The product(s) is/are damaged by leakage of batteries.

Details of warranty service, please contact regional distributor/dealer or send an email to service@jet-beam.com

RM46 & MCH46 (options) Installation Diagram



SYSMAX Ind. 

SYSMAX Industry Co., Ltd.
Rm 1407-08, Glorious Tower, 850 Dongfeng
Road East,
Yuexiu District, Guangzhou, Guangdong, China
510600

Tel: +86 20 83862000

Fax: +86 20 83882723

E-mail: info@jet-beam.com